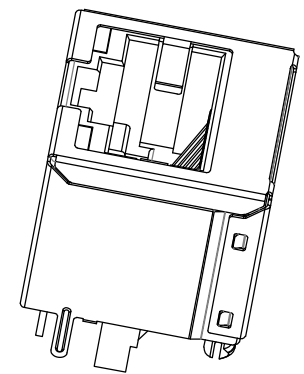
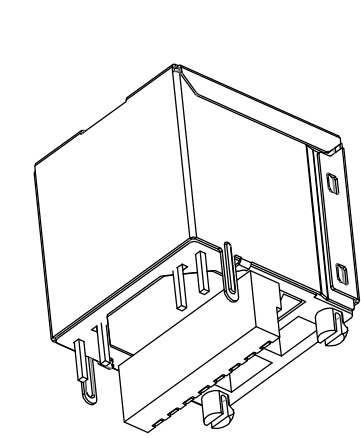
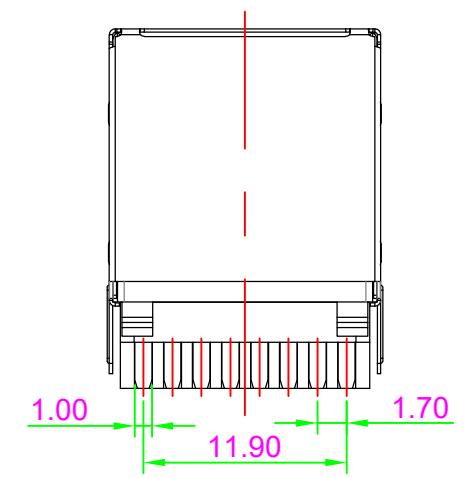
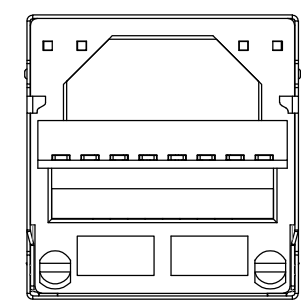
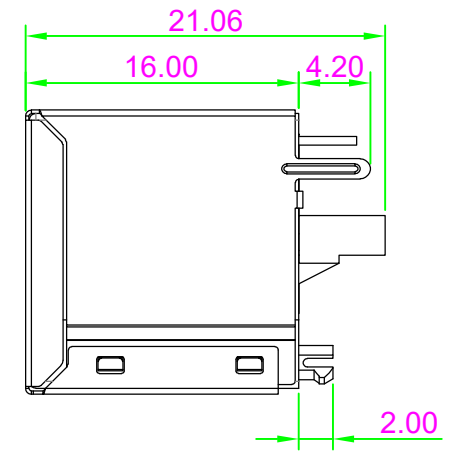
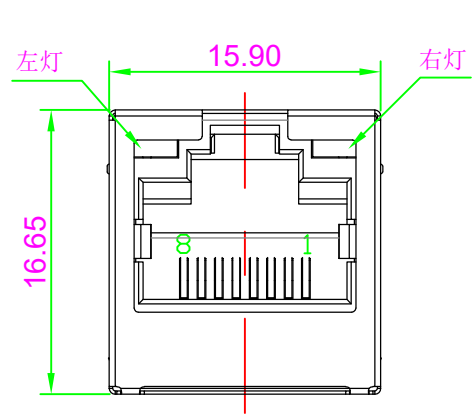


記號 MARK	ECN NO.	日期 DATE	修改 DRAW	核准 APPROVE
1	物料編碼更改	2022/4/15	丁敏	



SPECIFICATION NOTES:

ELECTRICAL:

- 1.VOLTAGE RATING: 125 VAC RMS
- 2.CURRENT RATING: 1.5 AMP
- 3.CONTACT RESISTANCE: 20mΩ MAX.
- 4.INSULATION RESISTANCE: 1000MΩ MIN. AT500V DC.
- 5.DIELECTRIC STRENGTH: 1000 V AC OR 1500V DC RMS AT 0.5mA 50 Hz / 60 Hz FOR 1MINUTE

MECHANICAL:

- 1.HOUSING:PBT+25%GF, HB
- 2.CONTACT:PHOSPHOR BRONZE T=0.25MM
- 3.PLATING:GOLD PLATING G/F AT CONTACT AREA, MATTE TIN AT TAIL 80U MIN., NICKEL 30U MIN. OVER ALL.
- 4.SHELL:BRASS T=0.20
- 5.OPERATING LIFE:750 CYCLES MIN.
- 6.MATING/UNMATING FORCE: 30N/3.06KGf MAX.
- 7.RETENTION STRENGTH:50N OR 30N MIN.FOR 60S±5S

ENVIRONMENTAL:

- 1.STORAGE:-40°C TO +85°C RELATIVE HUMIDITY<80%
- 2.GUARANTEE PERIOD:12 MONTHS
- 3.OPERATION: -40°C TO +85°C

Coorle Technology

<input checked="" type="checkbox"/> 屏蔽壳 Shell	<input checked="" type="checkbox"/> 黄铜 Brass	1
Au: <input type="checkbox"/> G/F" <input type="checkbox"/> 1u" <input type="checkbox"/> 3u" <input checked="" type="checkbox"/> Ni <input type="checkbox"/> 80u"		
胶壳 <input checked="" type="checkbox"/> PBT <input type="checkbox"/> LCP		1
金片 (PIN针) Contacts	<input type="checkbox"/> 黄铜 Brass <input checked="" type="checkbox"/> 磷铜 Phosphor copper	8
<input type="checkbox"/> G/F" <input checked="" type="checkbox"/> 1u" <input type="checkbox"/> 3u" <input type="checkbox"/> 6u"		
<input type="checkbox"/> 15u" <input type="checkbox"/> 30u" <input type="checkbox"/> 50u" <input type="checkbox"/> OTHER		

品名规格 DESCRIPTION	RJ45 屏蔽 焊线式 8P8C B款 双灯			页次 SHEET	1/1
产品编号 PRODUCT NO	单位 UNIT	mm	比例 SCALE	1:1	版本 EDITI
					A/0
DIMENSION IN mm (Inch) TOLERANCE UNLESS OTHERWISE SPECIFIED	第三视角法 THIRD ANGLE PROJECTION		制图 DRAWN	日期 DATE	2021. 11. 1
x.xx ±0.2	ANGLES		核 CHECK	日期 DATE	2021. 11. 1
x.xx ±0.10	X'±0'		批 APPRO	日期 DATE	2021. 11. 1
x.xxx ±0.050	X'±0.0'				

